

**C810**

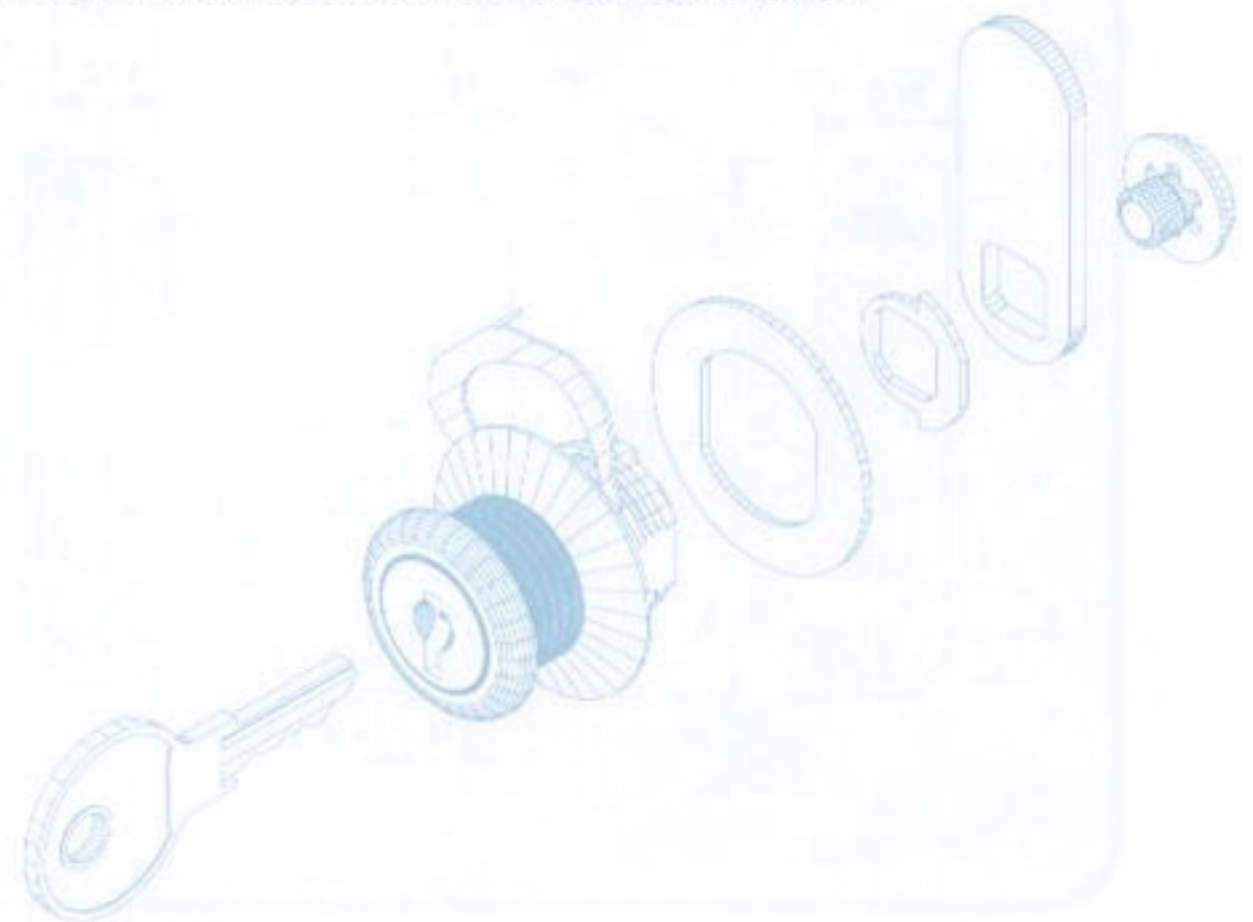
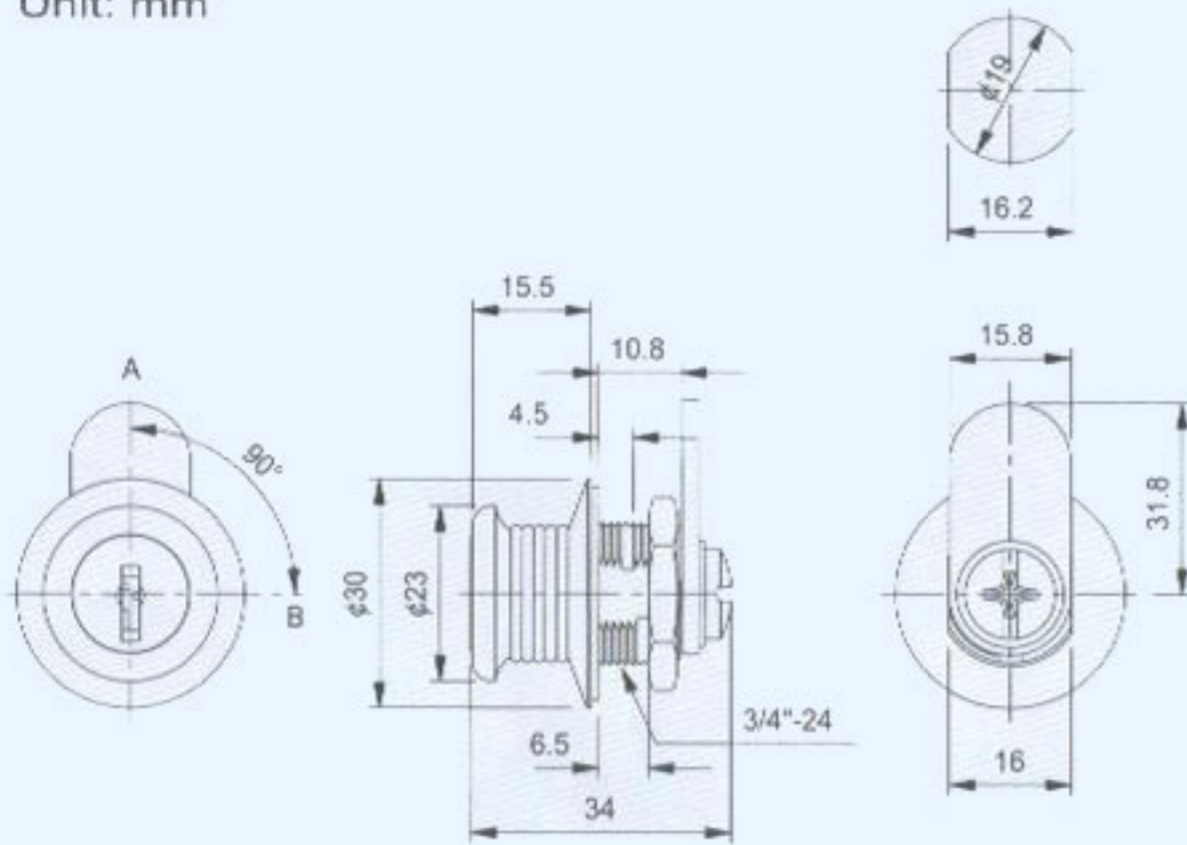


**DESCRIPTION**

- . ABS plastic housing, and zinc alloy die cast cylinder.
- . Black plastic housing and black chrome cylinder standard; other colors housing and finishes cylinder available upon request.
- . 5 disc tumbler mechanism.
- . Brass keys, nickel plated.
- . Key may be withdrawn in one or both positions.
- . Various cam configurations and rotations available.
- . Cam is affixed by screw.
- . Hex nut or speed clip mounted.
- . Ideal for applications where a pull knob is needed with a cam lock.
- . All keyed alike or 25 combinations standard.
- . 100 combinations available.

Unit: mm

Recommended hole size



■ -INDICATES KEY-PULL

● -INDICATES NO KEY-PULL



Fig.1

Fig.2

Fig No	Lock Number	Positions	Key Pulls	Turn
1	C810-1	2	1	90°
2	C810-2	2	2	90°

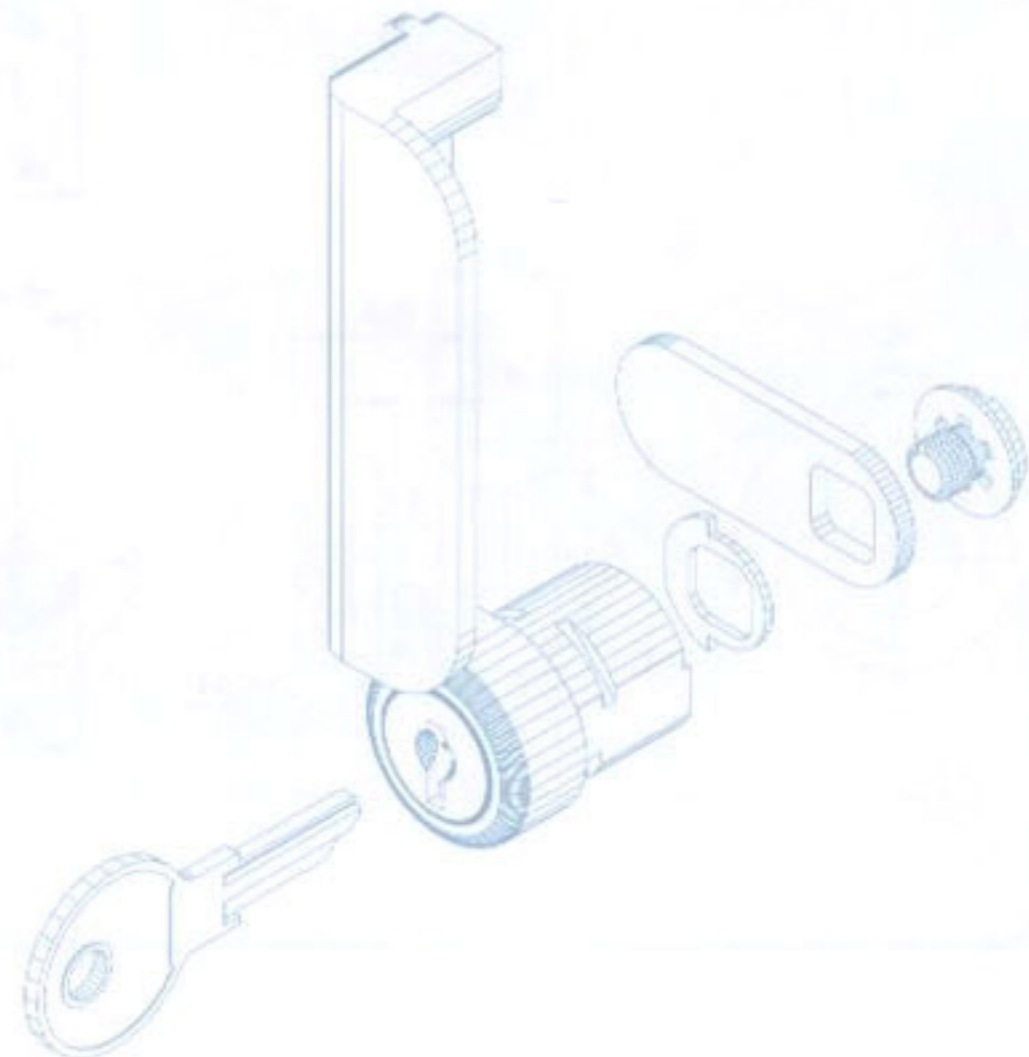
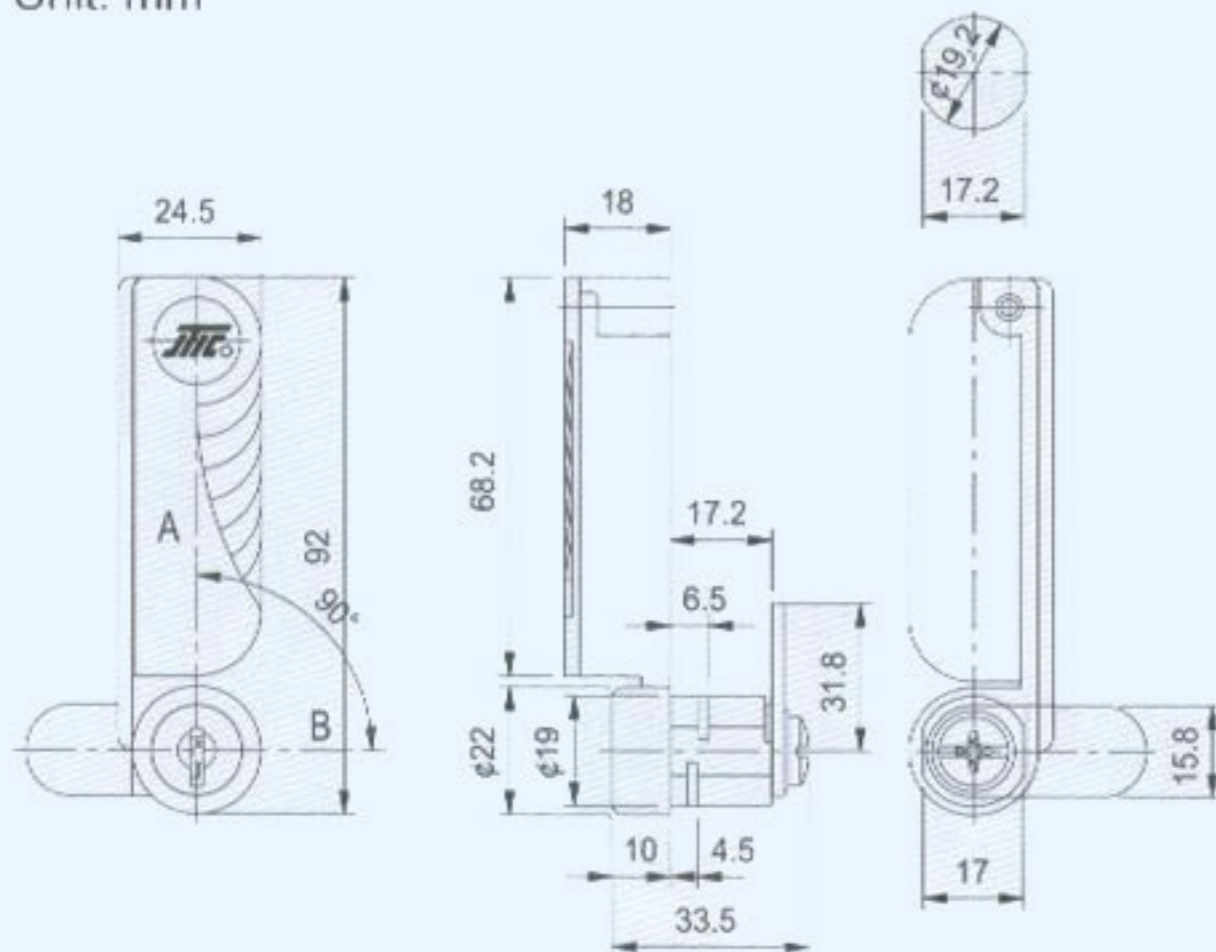
**C811**



**DESCRIPTION**

- . ABS plastic housing, and zinc alloy die cast cylinder.
- . Black plastic housing and bright chrome cylinder plated standard; other color housing and finishes cylinder available upon request.
- . 5 disc tumbler mechanism.
- . Brass keys, nickel plated.
- . Key may be withdrawn in one or both positions.
- . Various cam configurations and rotations available.
- . Cam is affixed by screw.
- . Speed clip mounted.
- . Ideal for use on Acrylic or Glass doors.
- . All keyed alike or 25 combinations standard.
- . 100 combinations available.

Unit: mm  
Recommended hole size



■ -INDICATES KEY-PULL

● -INDICATES NO KEY-PULL

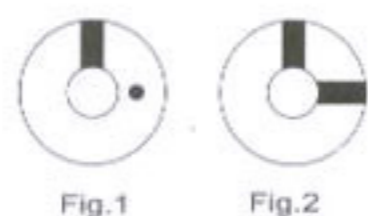


Fig No	Lock Number	Positions	Key Pulls	Turn
1	C811-1	2	1	90°
2	C811-2	2	2	90°

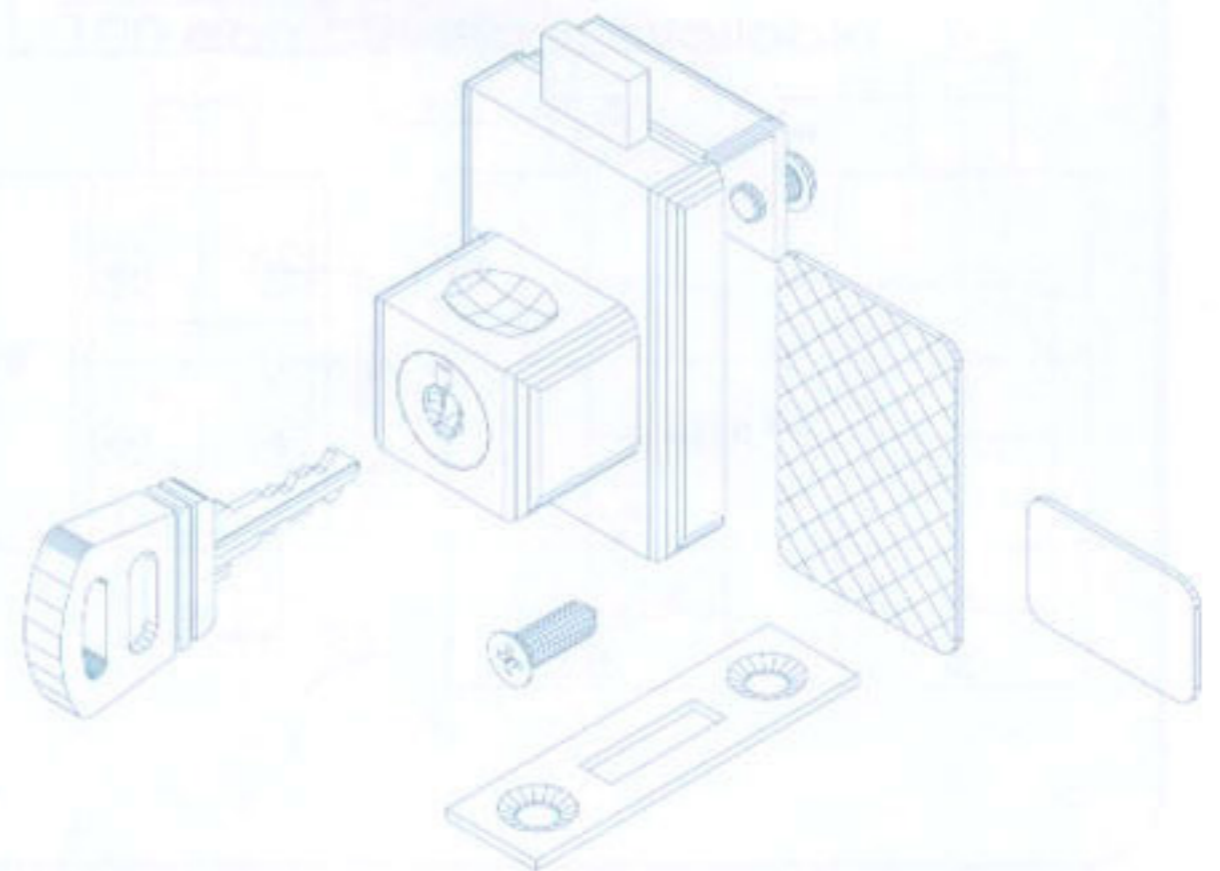
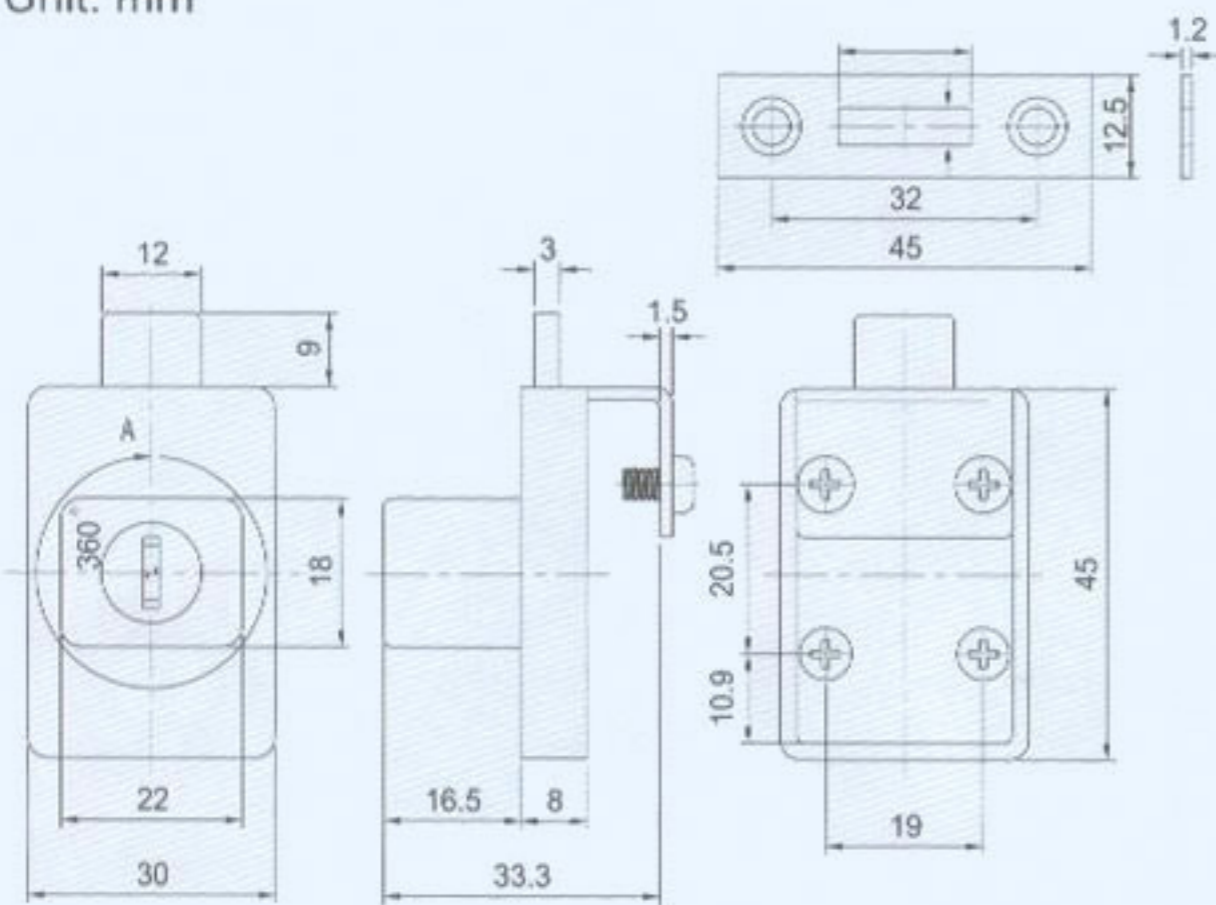
**C820**



**DESCRIPTION**

- . Zinc alloy die cast housing and cylinder.
- . Bright chrome plated standard; other finishes available upon request.
- . 5 disc tumbler mechanism.
- . Reversible double-bitted brass keys, nickel plated, with plastic cover
- . C820 with keys function, key withdrawals in one position only.
- . C820A without key function.
- . 360 degree key rotation.
- . All keyed alike or 25 combinations standard.
- . 100 combinations available.

Unit: mm



■ -INDICATES KEY-PULL

● -INDICATES NO KEY-PULL



Fig.1

Fig No	Lock Number	Positions	Key Pulls	Turn
1	C820	1	1	360°

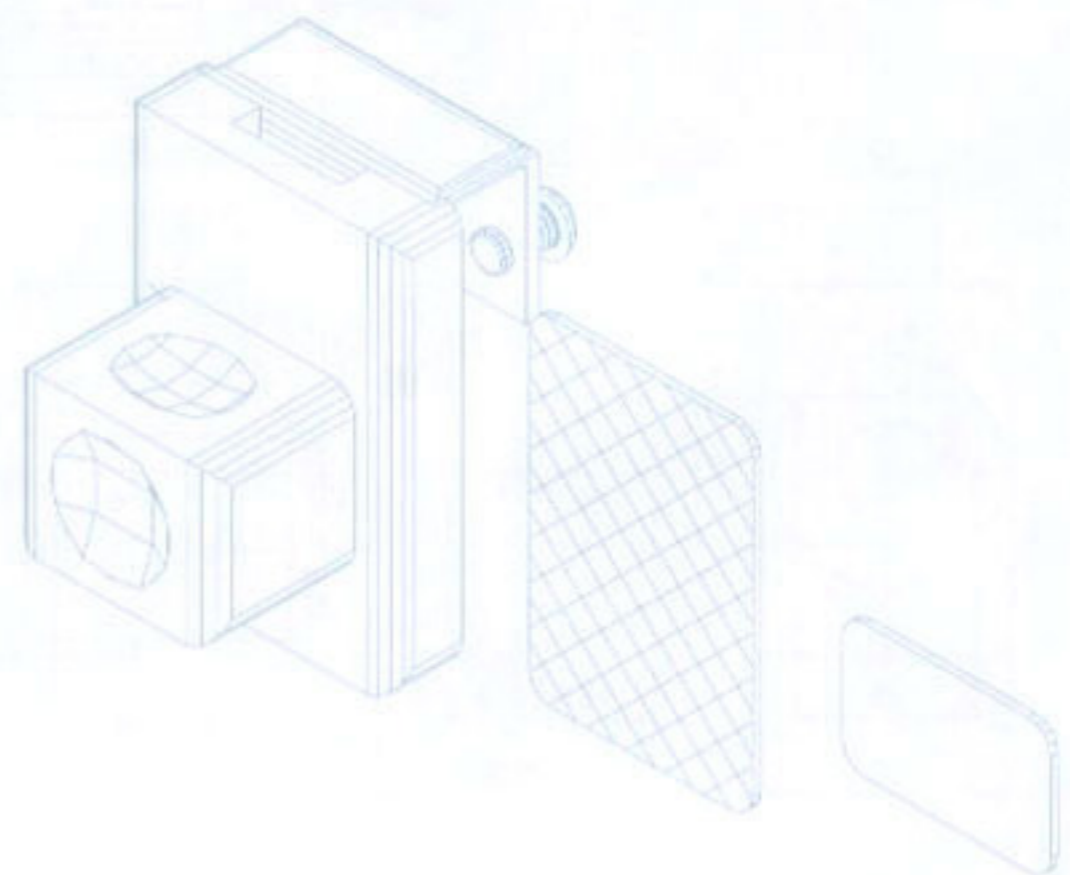
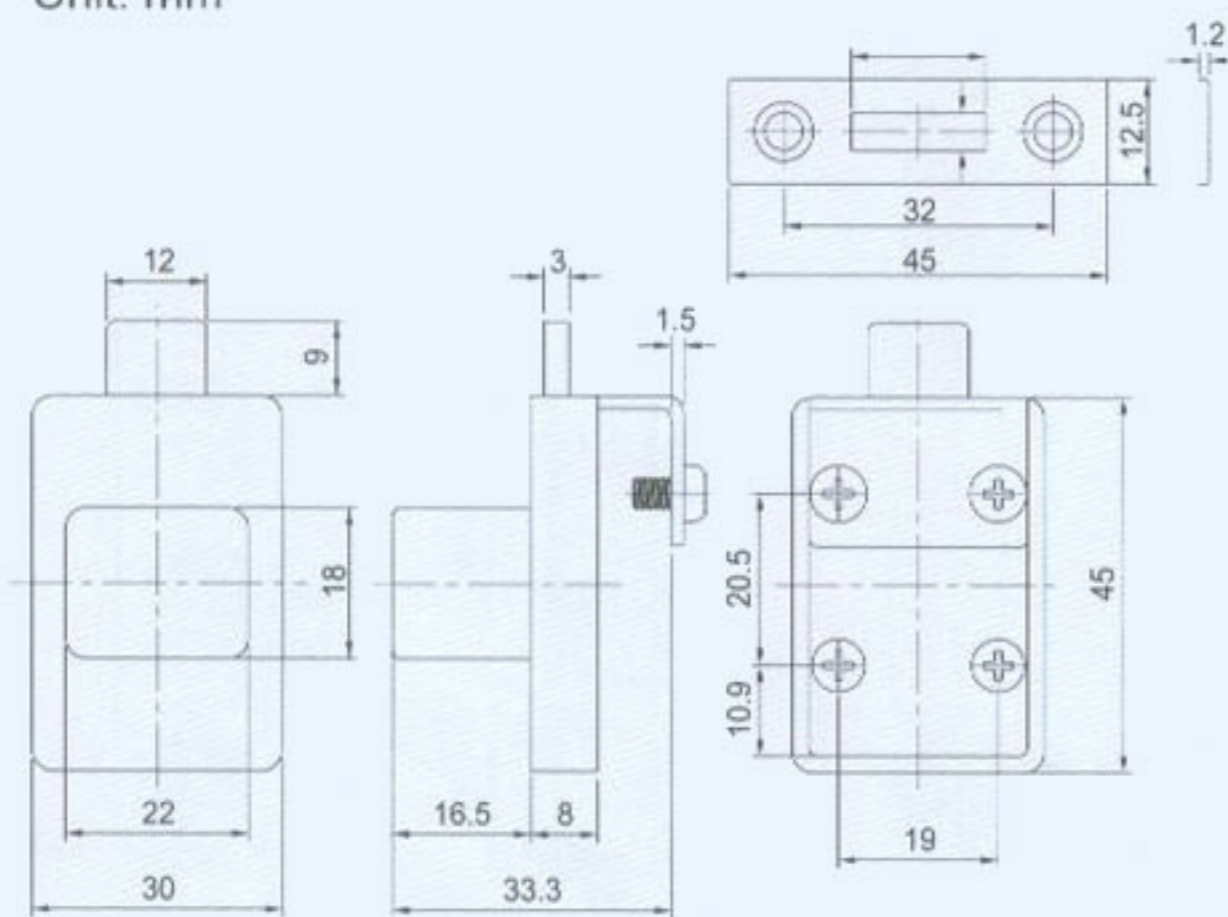
**C820A**



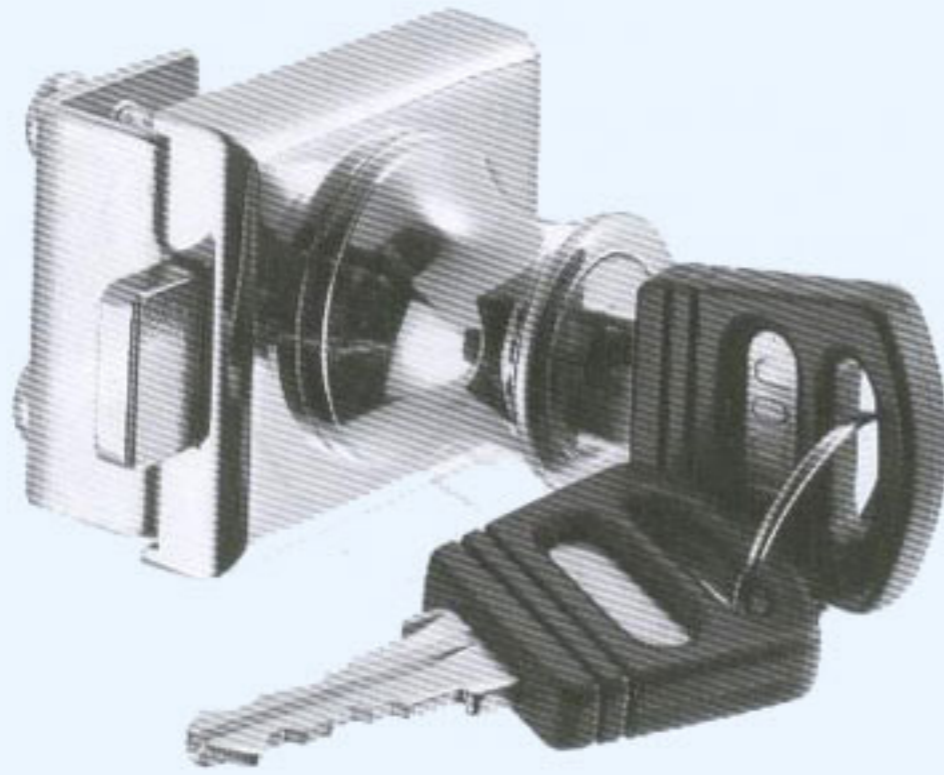
**DESCRIPTION**

- . Zinc alloy die cast housing and cylinder.
- . Bright chrome plated standard; other finishes available upon request.
- . C820A without key function.

Unit: mm



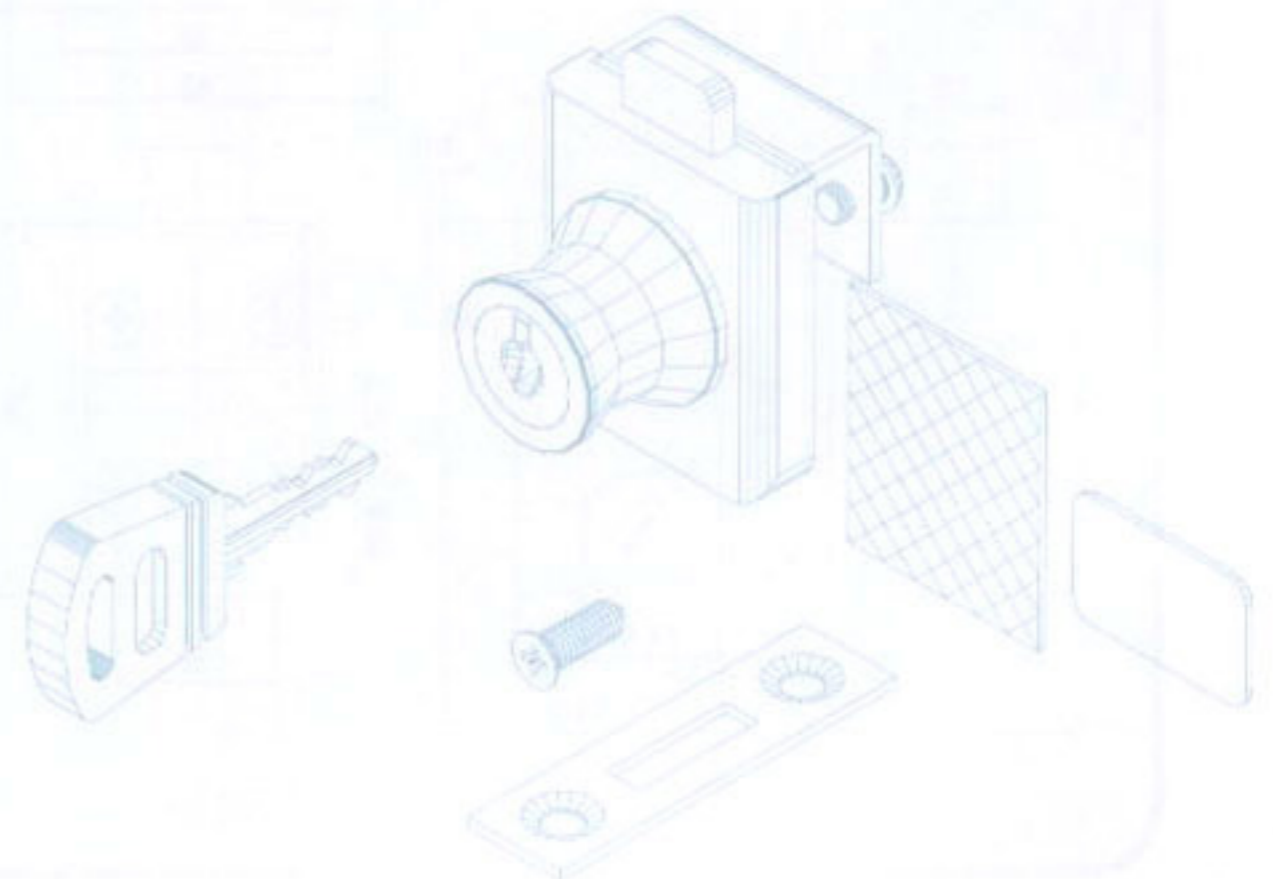
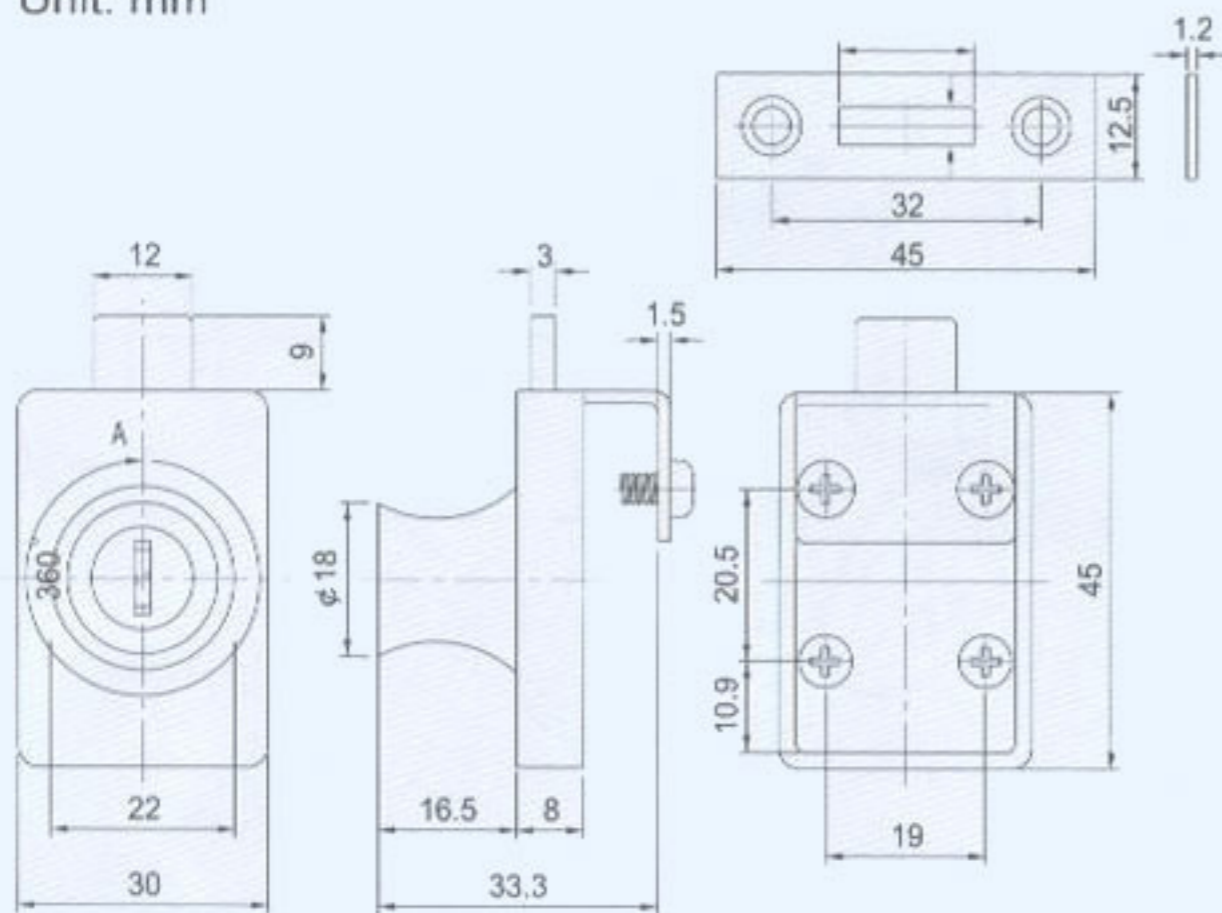
## C821



### DESCRIPTION

- . Zinc alloy die cast housing and cylinder.
- . Bright chrome plated standard; other finishes available upon request.
- . 5 disc tumbler mechanism.
- . Reversible double-bitted brass keys, nickel plated, with plastic cover
- . C821 with keys function, key withdrawals in one position only.
- . C821A without key function.
- . 360 degree key rotation.
- . All keyed alike or 25 combinations standard.
- . 100 combinations available.

Unit: mm



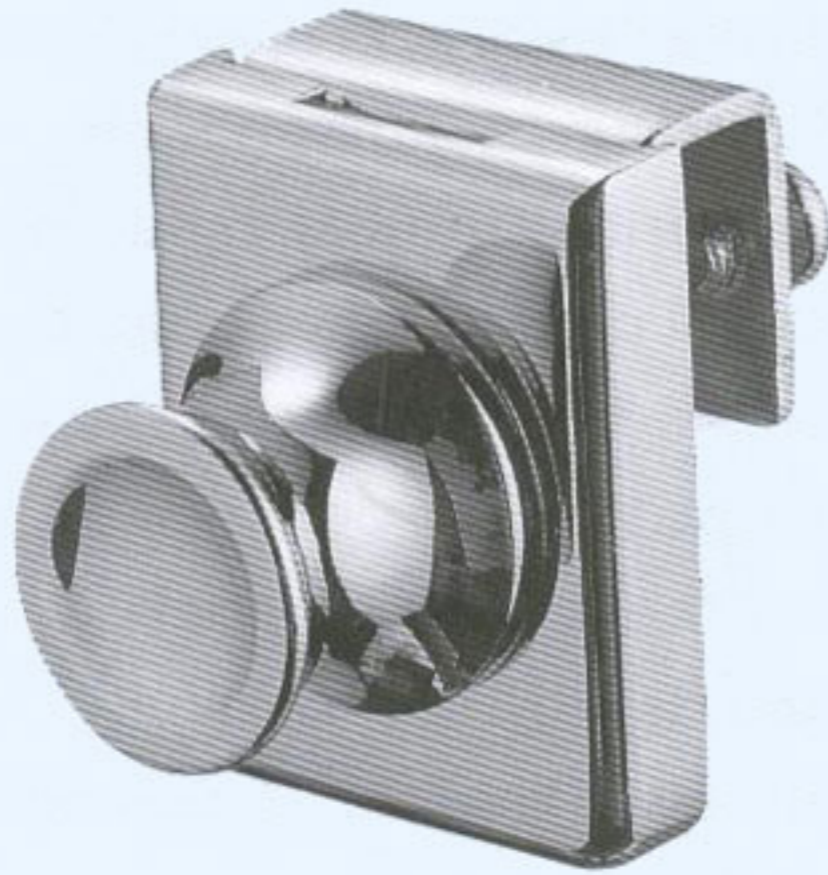
- -INDICATES KEY-PULL
- -INDICATES NO KEY-PULL



Fig.1

Fig No	Lock Number	Positions	Key Pulls	Turn
1	C821	1	1	360°

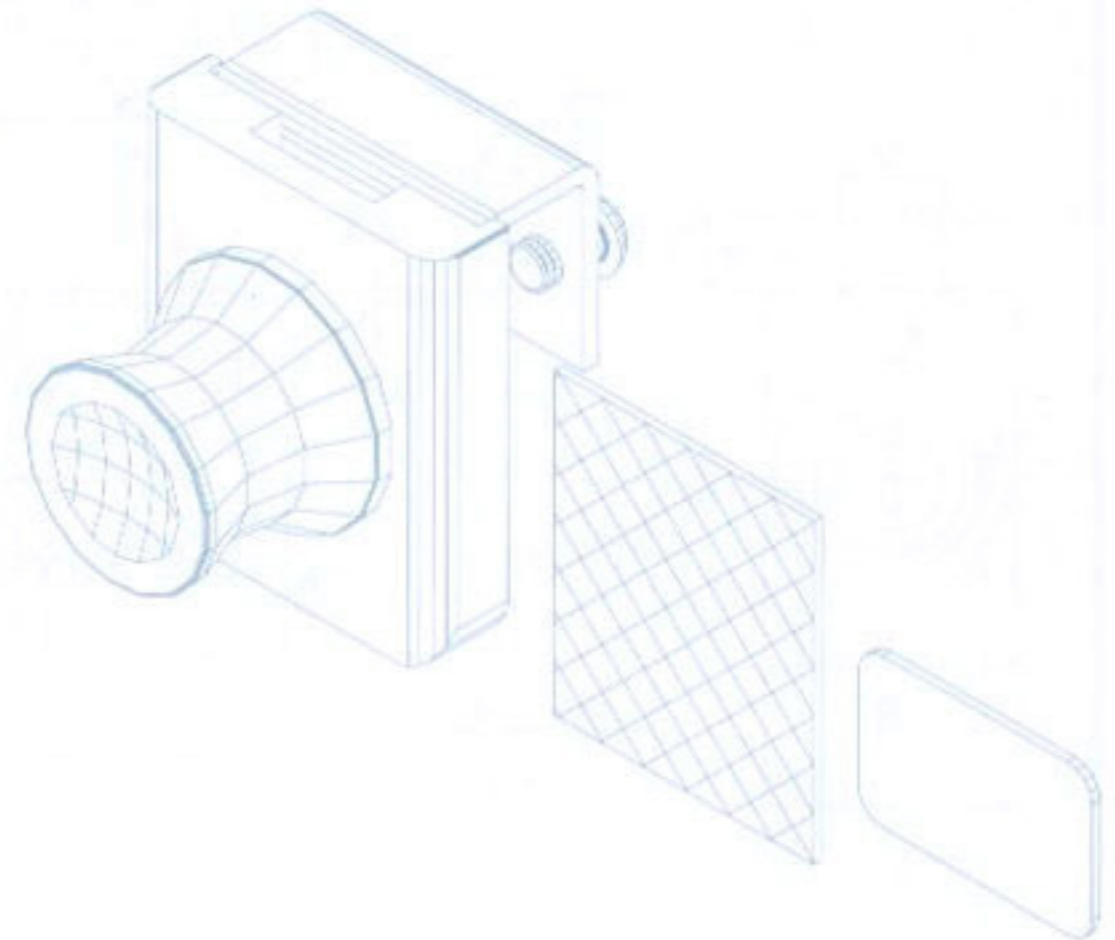
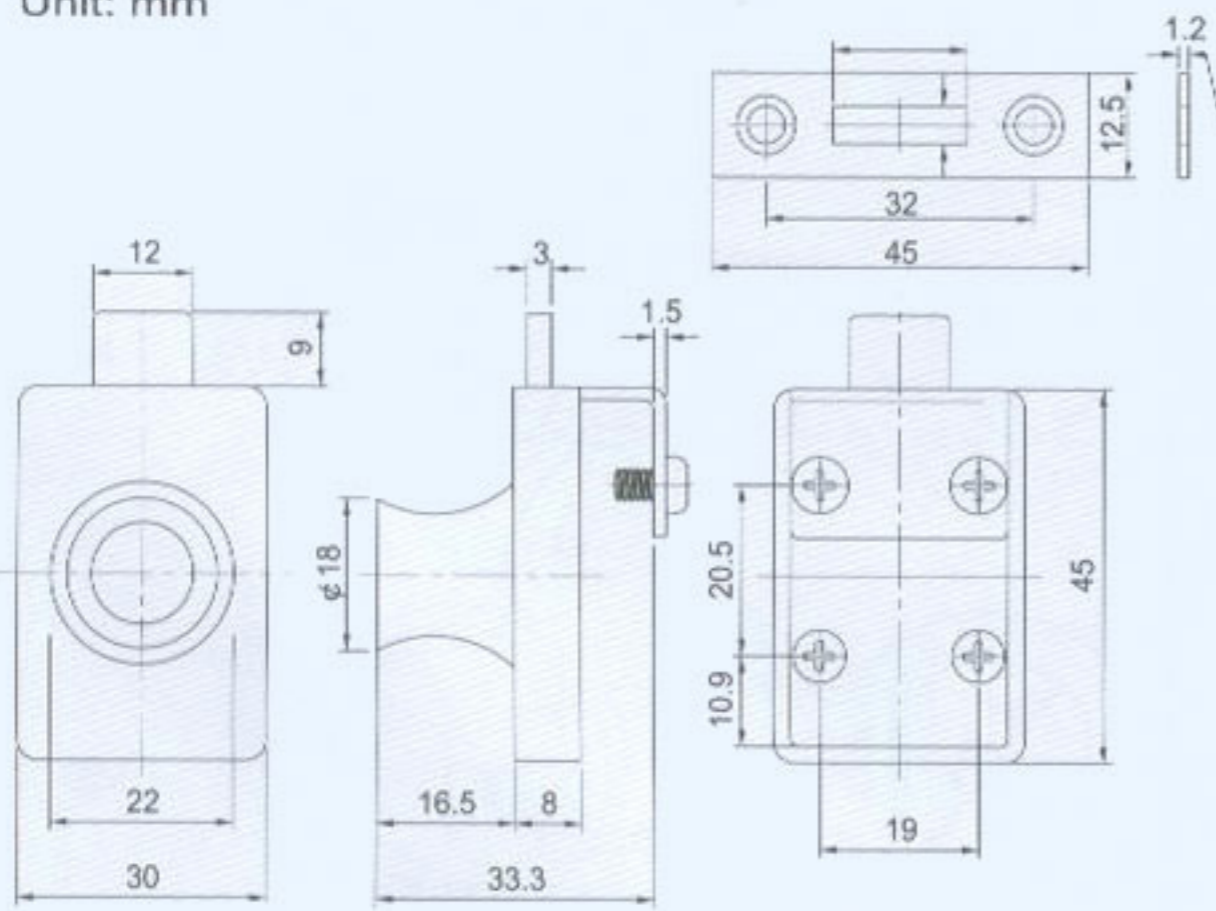
**C821A**

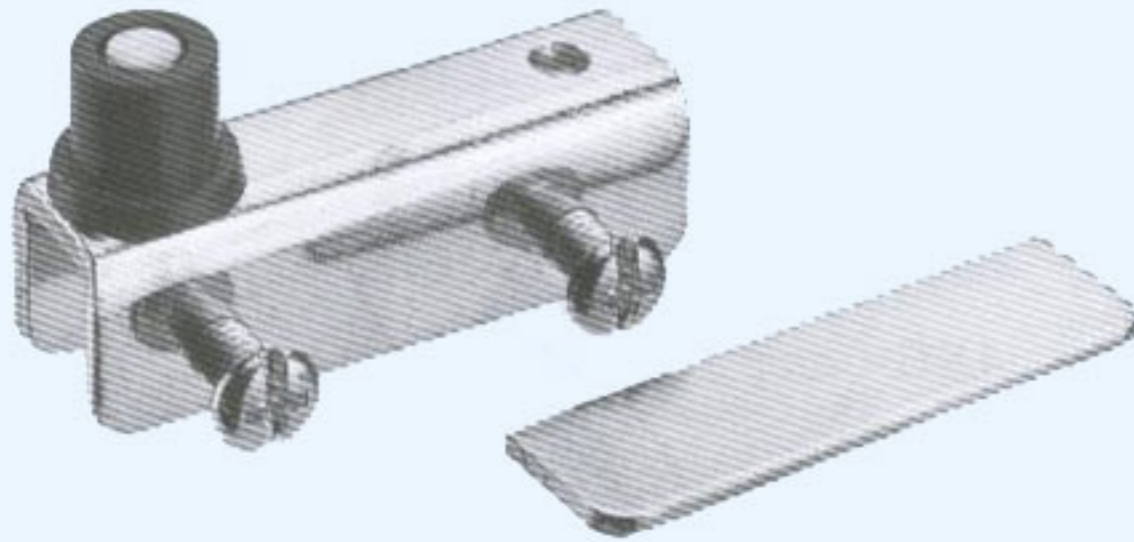


**DESCRIPTION**

- . Zinc alloy die cast housing and cylinder.
- . Bright chrome plated standard; other finishes available upon request.
- . C821A without key function.

Unit: mm



**RH5409****DESCRIPTION**

- . Steel material, brass plated.
- . For use on glass doors.
- . Available with steel or nylon screws.
- . Supplied with nylon bushing in white or black.
- . Normally supplied with two hinges and bushings per polybag. Bulk packing also available.

Unit: mm

